

Catalogue SUPER K



Technical Catalogue | cod. CT011
Edition | May 2026
Revision | 13
Classification | Controlled

CHARACTERISTICS

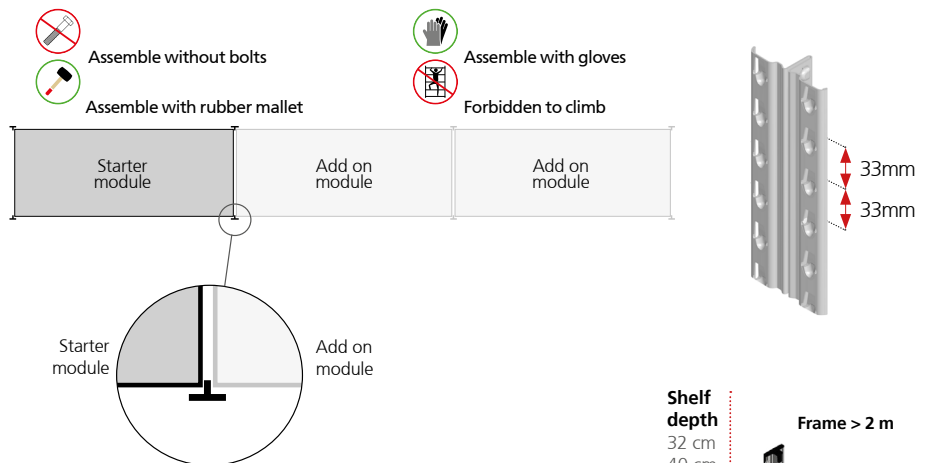
Super K modular shelving is a fully galvanised shelving solution suited for all domestic environments. Its elegant design is perfectly matched to modern décor while its robust nature lends itself for storage needs in any domestic basement, attic, or garage.

Super K shelving is completely boltless and requires only a pair of safety gloves and a plastic mallet for an intuitive assembly.

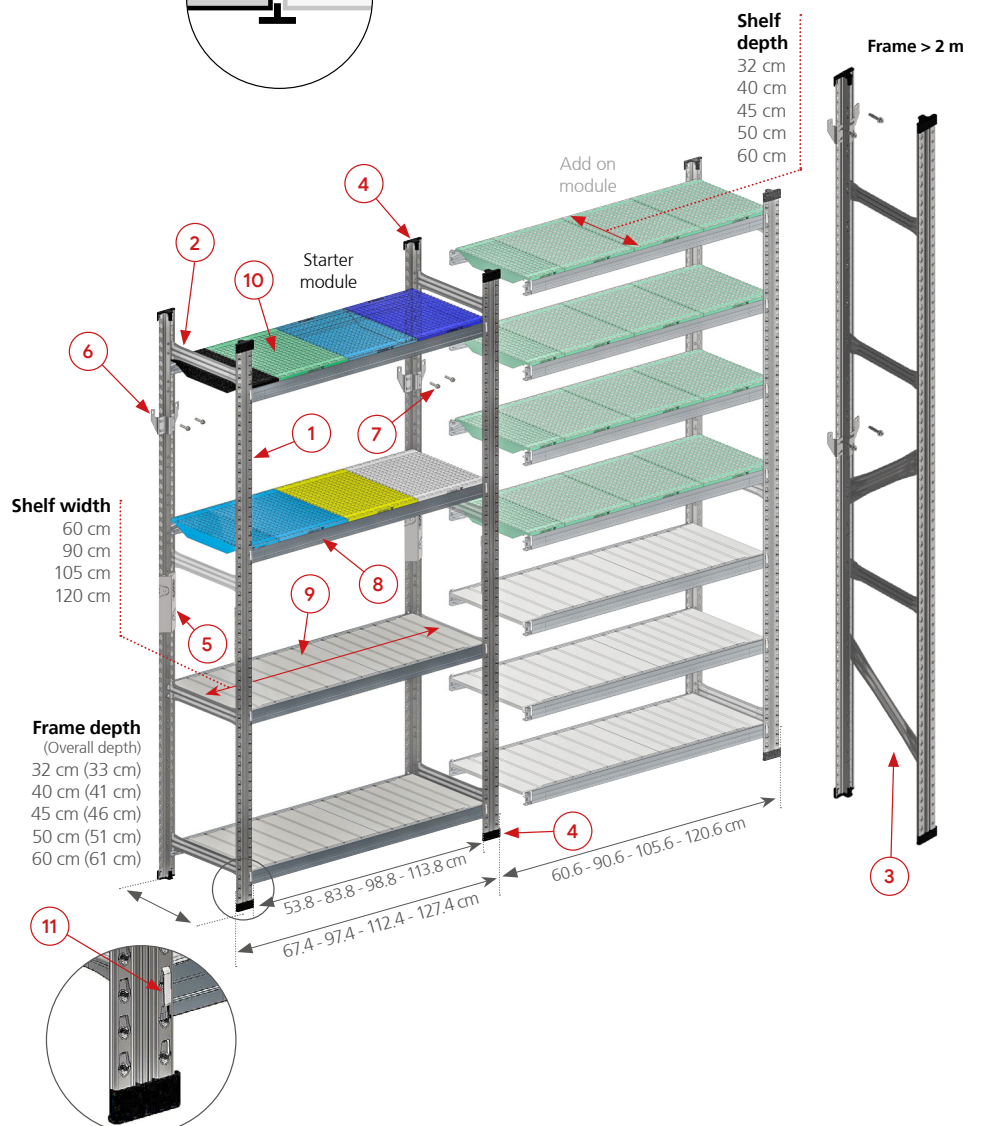
A single bay, or “starter module” consists of two frames with the desired number of shelf levels. To create an “add on module”, apply only one frame and shelf levels.

A row is formed by a single starter module or by combining a starter with a number of add on modules.

Module dimensions	
	Dimensions
Shelving height	1 m (916 mm)
	1,5 m (1444 mm)
	1,7 m (1708 mm)
	2 x 1 m (1832 mm)
	2 m (1972 mm)
	2,1 m (2104 mm)
	2,2 m (2236 mm)
	2,4 m (2368 mm)
Shelf width	60 cm
	90 cm
	105 cm
	120 cm
Shelf depth	32 cm
	40 cm
	45 cm
	60 cm
Shelf height adjustment pitch	33 mm



Shelving components		
	Ref.	Component
Frame	1	Upright
	2	Spacer
	3	Diagonal (frame > 2 m)
	4	Top cap / Base plate
	5	Super K Upright Splice (for 2 x 1m frame only)
Wall Anchor	6	Wall fastening bracket
	7	Wall anchor
Shelf	8	Beam
	9	Steel shelf panel
	10	Plastic shelf panel
	11	Safety clip

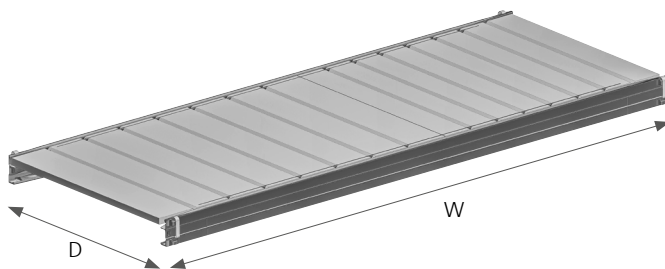


SUPER K ORDER CODES

Super K - Frame

Frame height (H) \ Frame depth (D)	1 m (916 mm)	1,5 m (1444 mm)	1,7 m (1708 mm)	2 x 1 m (1832 mm)	2 m (1972 mm)	2,1 m (2104 mm)	2,2 m (2236 mm)	2,4 m (2368 mm)	2,5 m (2500 mm)
32 cm	74000.98	74004.98	74006.98	74007.98	74008.98	74050.98	74051.98	74052.98	74053.98
40 cm	74010.98	74014.98	74016.98	74017.98	74018.98	74054.98	74055.98	74056.98	74057.98
45 cm	74020.98	74024.98	74026.98	74027.98	74028.98	74058.98	74089.98	74090.98	74091.98
50 cm	74030.98	74034.98	74036.98	74037.98	74038.98	74092.98	74093.98	74094.98	74095.98
60 cm	74040.98	74044.98	74046.98	74047.98	74048.98	74096.98	74097.98	74098.98	74099.98

- The frame codes contain the following components:
- 2 x uprights (4 uprights for 2x1m height);
 - 1 m: 2 spacers
 - 1,5 m | 1,7 m | 2 m: 3 spacers;
 - 2,1 m: 2 spacers and 2 diagonals
 - 2,2 m | 2,4 m | 2,5 m: 3 spacers and 2 diagonals
 - 2x1 m: 4 spacers;
 - 4 x top caps / base plates.
 - 2 x Super K Upright Splice (for 2 x 1m frame only).



Super K - Steel shelf panels

Shelf width (W) \ Shelf depth (D)	60 cm	90 cm	105 cm	120 cm
32 cm	84001.95	84011.95	84021.95	84031.95
40 cm	84004.95	84014.95	84024.95	84034.95
45 cm	84005.95	84015.95	84025.95	84035.95
50 cm	84007.95	84017.95	84027.95	84037.95
60 cm	84010.95	84020.95	84030.95	84040.95

- These shelf codes contain the following components:
- 2 x beams;
 - 1 x shelf panel (W=60cm and W=90cm) or 2 shelf panels (W=105cm and W=120cm);
 - 4 x safety clips.

Additional accessories

Wall fastening bracket	65022.95
Plastic anchor bolt M8x40 + cross head screw	V1000480.98

- Per frame the following quantities are required:
- 1 x wall fastening bracket + 2 x anchor bolt for frames with $H \leq 2$ m
 - 2 x wall fastening bracket + 4 x anchor bolt for frames $H > 2$ m

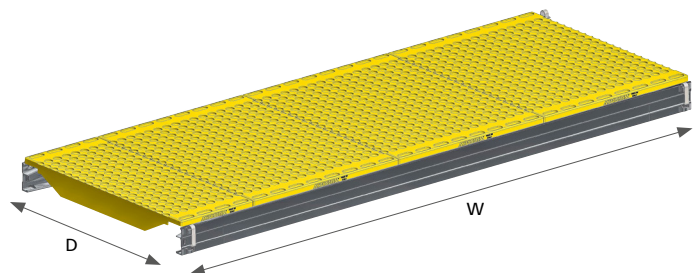
Super K - Plastic shelf panels

Shelf depth (D)

colour	Shelf width (W)	32 cm	40 cm	50 cm	60 cm
Blue	60 cm	PSK32060DB.98	PSK40060DB.98	PSK50060DB.98	PSK60060DB.98
	90 cm	PSK32090DB.98	PSK40090DB.98	PSK50090DB.98	PSK60090DB.98
	105 cm	PSK32105DB.98	PSK40105DB.98	PSK50105DB.98	-
	120 cm	PSK32120DB.98	PSK40120DB.98	PSK50120DB.98	PSK60120DB.98
White	60 cm	PSK32060WH.98	PSK40060WH.98	PSK50060WH.98	PSK60060WH.98
	90 cm	PSK32090WH.98	PSK40090WH.98	PSK50090WH.98	PSK60090WH.98
	105 cm	PSK32105WH.98	PSK40105WH.98	PSK50105WH.98	-
	120 cm	PSK32120WH.98	PSK40120WH.98	PSK50120WH.98	PSK60120WH.98
Black	60 cm	PSK32060BL.98	PSK40060BL.98	PSK50060BL.98	PSK60060BL.98
	90 cm	PSK32090BL.98	PSK40090BL.98	PSK50090BL.98	PSK60090BL.98
	105 cm	PSK32105BL.98	PSK40105BL.98	PSK50105BL.98	-
	120 cm	PSK32120BL.98	PSK40120BL.98	PSK50120BL.98	PSK60120BL.98
Dark Green	60 cm	PSK32060DG.98	PSK40060DG.98	PSK50060DG.98	PSK60060DG.98
	90 cm	PSK32090DG.98	PSK40090DG.98	PSK50090DG.98	PSK60090DG.98
	105 cm	PSK32105DG.98	PSK40105DG.98	PSK50105DG.98	-
	120 cm	PSK32120DG.98	PSK40120DG.98	PSK50120DG.98	PSK60120DG.98
Yellow	60 cm	PSK32060YL.98	PSK40060YL.98	PSK50060YL.98	PSK60060YL.98
	90 cm	PSK32090YL.98	PSK40090YL.98	PSK50090YL.98	PSK60090YL.98
	105 cm	PSK32105YL.98	PSK40105YL.98	PSK50105YL.98	-
	120 cm	PSK32120YL.98	PSK40120YL.98	PSK50120YL.98	PSK60120YL.98
Cyan	60 cm	PSK32060LB.98	PSK40060LB.98	PSK50060LB.98	PSK60060LB.98
	90 cm	PSK32090LB.98	PSK40090LB.98	PSK50090LB.98	PSK60090LB.98
	105 cm	PSK32105LB.98	PSK40105LB.98	PSK50105LB.98	-
	120 cm	PSK32120LB.98	PSK40120LB.98	PSK50120LB.98	PSK60120LB.98

These shelf codes contain the following components:

- 2 x beams;
- 2 x plastic 30 cm wide shelf panels (W=60 cm)
- 3 x plastic 30 cm wide shelf panels (W=90 cm)
- 3 x plastic 30 cm wide shelf panels and 1, 15 cm panel (W=105 cm)
- 4 x plastic 30 cm wide shelf panels (W=120 cm);
- 4 x safety clips.

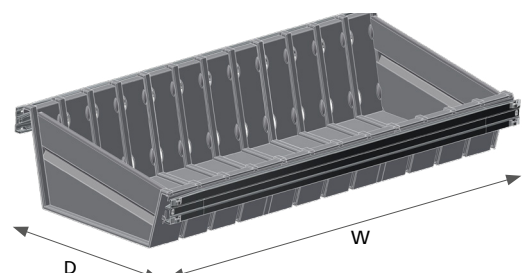


Super K - Modular containers

Shelf depth (D)	Shelf width (W)		
	60 cm	90 cm	120 cm
32 cm	84051.95	84061.95	84081.95
40 cm	84054.95	84064.95	84084.95
45 cm	84055.95	84065.95	84085.95
50 cm	84057.95	84067.95	84087.95
60 cm	84060.95	84070.95	84090.95

These shelf codes contain the following components:

- 2 x beams;
- 2 x 30 cm wide modular containers (W=60 cm)
- 3 x 30 cm wide modular containers (W=90 cm)
- 4 x 30 cm wide modular containers (W=120 cm);
- 2 x modular container fastening clips
- 4 x beam safety clips
- 2 x dividers



Accessories

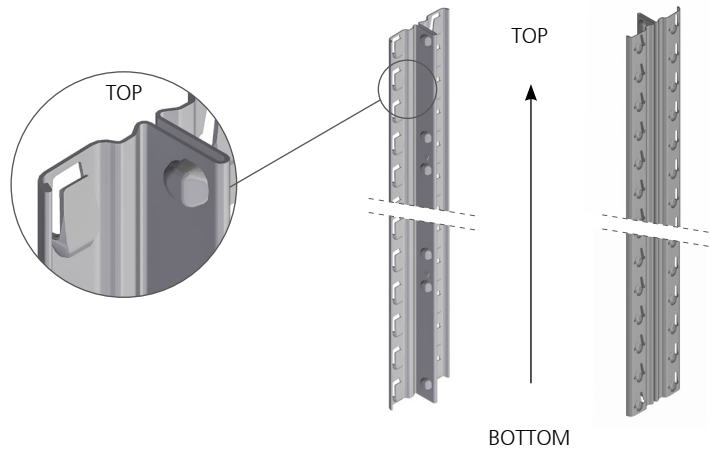
Divider Depth (D)	
32 cm	61517.95
40 cm	61518.95
45 cm	61516.95
50 cm	61519.95
60 cm	61520.95

SUPER K COMPONENTS

1 - Uprights

Height (H)	Code
1 m (916 mm)	10400.95
1,5 m (1444 mm)	10404.95
1,7 m (1708 mm)	10406.95
2 m (1972 mm)	10408.95

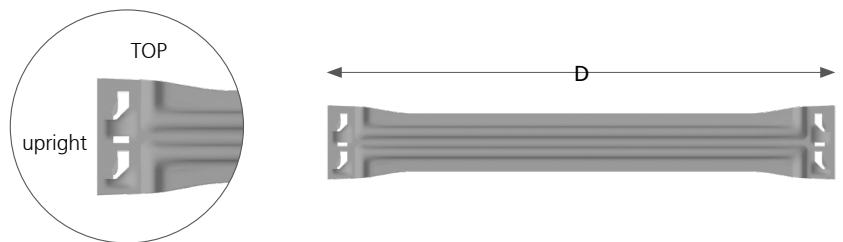
Every frame uses 2 uprights.



2 - Spacers

Depth (D)	Code
32 cm	41001.95
40 cm	41004.95
45 cm	41005.95
50 cm	41007.95
60 cm	41010.95

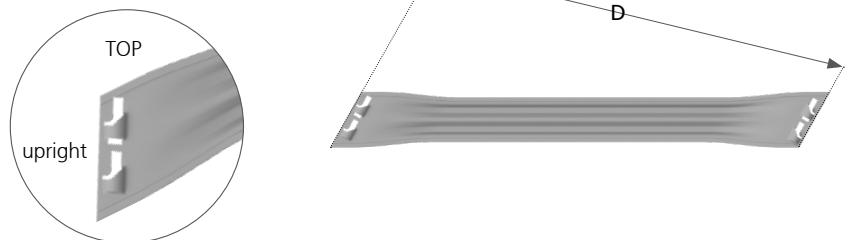
2 spacers are used for 1m and 1,2 m uprights while all other frames use 3 spacers



3 - Diagonals

Depth (D)	Code
32 cm	46001.95
40 cm	46004.95
45 cm	46005.95
50 cm	46007.95
60 cm	46010.95

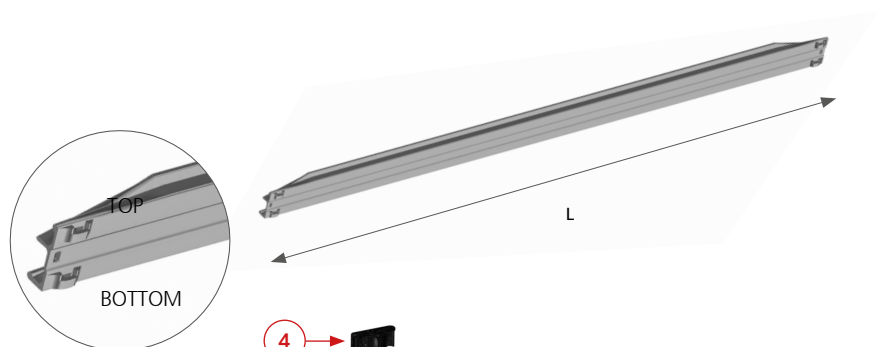
For uprights > 2 m use 2 diagonals per frame



8 - Beams

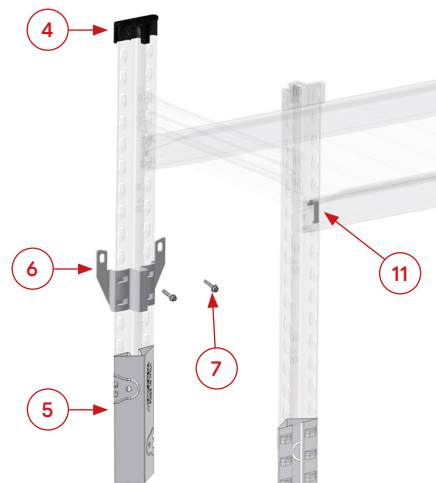
Length (L)	Code
60 cm	30000K.95
90 cm	30001K.95
105 cm	30003K.95
120 cm	30004K.95

2 beams every shelf level.
2 safety clips every beam.



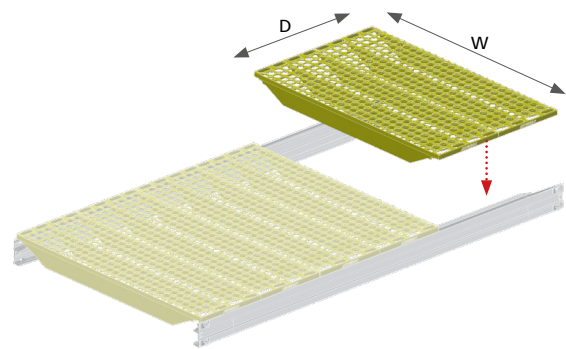
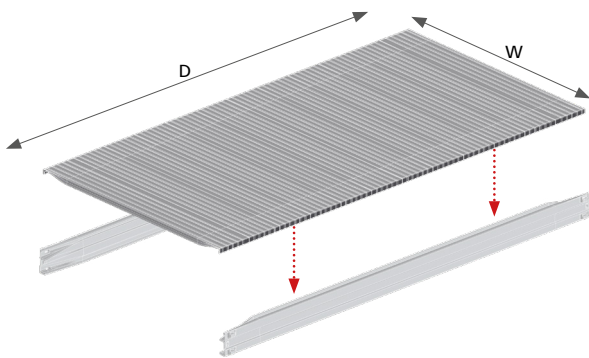
Accessories

	Code
4 - Plastic top cap / Baseplate	68055.98
5 - Super K upright splice	10410.95
6 - Wall fastening bracket	65022.95
7 - Plastic anchor bolt M8x40 + cross head screw M5x50	VI000480.98
11 - Safety clip	67016.95



9 - Steel shelf panels

Depth (D) \ Width (W)	60 cm Code	90 cm Code	105 cm Code	120 cm Code
32 cm	51101.95	51601.95	51101.95 + 51701.95	2 x 51101.95
40 cm	51104.95	51604.95	51104.95 + 51704.95	2 x 51104.95
45 cm	51105.95	51605.95	51105.95 + 51705.95	2 x 51105.95
50 cm	51107.95	51607.95	51107.95 + 51707.95	2 x 51107.95
60 cm	51110.95	51610.95	51110.95 + 51710.95	2 x 51110.95

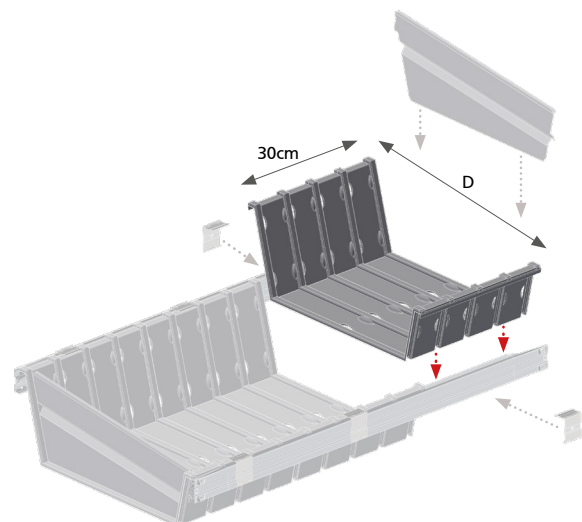


10 - Plastic shelf panels

Depth (D)	Width (W)	Colour Code					
		White	Yellow	Cyan	Blue	Green	Black
32 cm	15 cm	PL15X32C1.98	PL15X32A1.98	PL15X32B1.98	PL15X32B2.98	PL15X32V1.98	PL15X32N1.98
40 cm		PL15X40C1.98	PL15X40A1.98	PL15X40B1.98	PL15X40B2.98	PL15X40V1.98	PL15X40N1.98
50 cm		PL15X50C1.98	PL15X50A1.98	PL15X50B1.98	PL15X50B2.98	PL15X50V1.98	PL15X50N1.98
32 cm	30 cm	PL30X32C1.98	PL30X32A1.98	PL30X32B1.98	PL30X32B2.98	PL30X32V1.98	PL30X32N1.98
40 cm		PL30X40C1.98	PL30X40A1.98	PL30X40B1.98	PL30X40B2.98	PL30X40V1.98	PL30X40N1.98
50 cm		PL30X50C1.98	PL30X50A1.98	PL30X50B1.98	PL30X50B2.98	PL30X50V1.98	PL30X50N1.98
60 cm		PL30X60C1.98	PL30X60A1.98	PL30X60B1.98	PL30X60B2.98	PL30X60V1.98	PL30X60N1.98

12 - Modular containers

Depth (D) \ Width (W)	60 cm Code	90 cm Code	120 cm Code
32 cm	2 x 61017.95	3 x 61017.95	4 x 61017.95
40 cm	2 x 61018.95	3 x 61018.95	4 x 61018.95
45 cm	2 x 61016.95	3 x 61016.95	4 x 61016.95
50 cm	2 x 61019.95	3 x 61019.95	4 x 61019.95
60 cm	2 x 61020.95	3 x 61020.95	4 x 61020.95



ASSEMBLY

Read the "CHARACTERISTICS" section of this document (page 2) before proceeding with the assembly of the Super K shelving. The assembly requires only safety gloves and a plastic tip mallet; alternatively a hammer may be used if wrapped with a rag to protect the components during assembly.

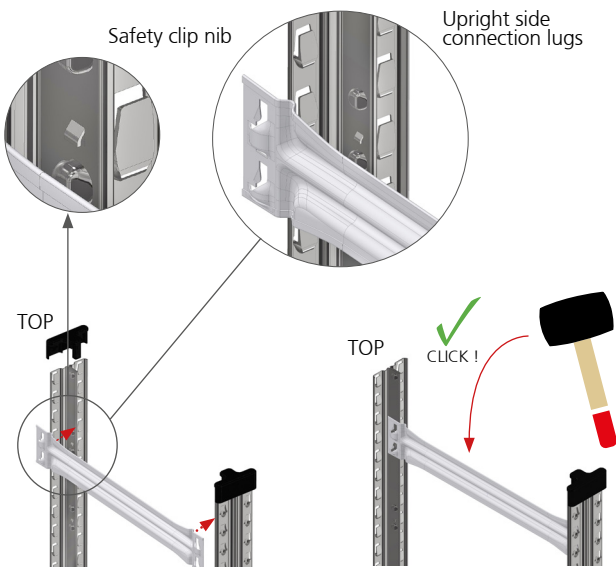
For frames equal or lower than 2m, a frame is assembled using 2 or 3 spacers positioned in the following locations:

- One spacer near the bottom;
- One spacer near the top;
- One spacer at the centre on the opposite side of the frame (not required for the H=916mm frames).

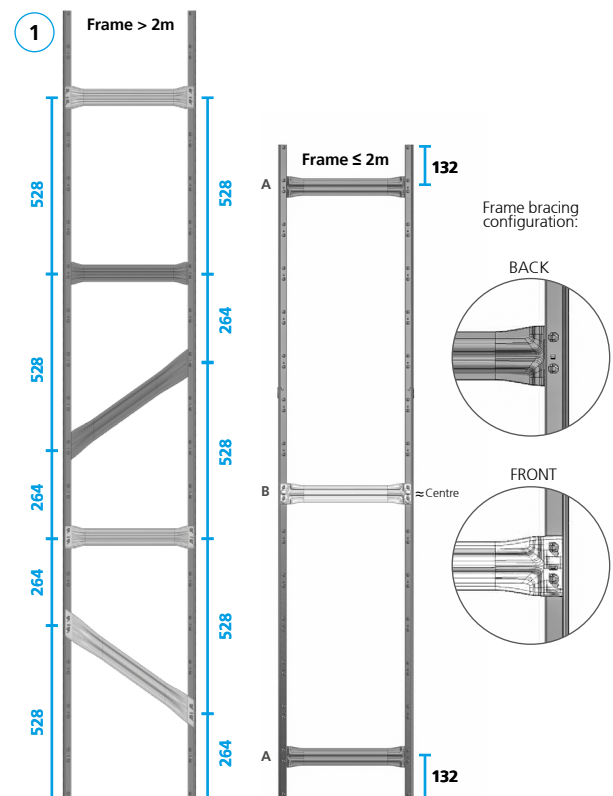
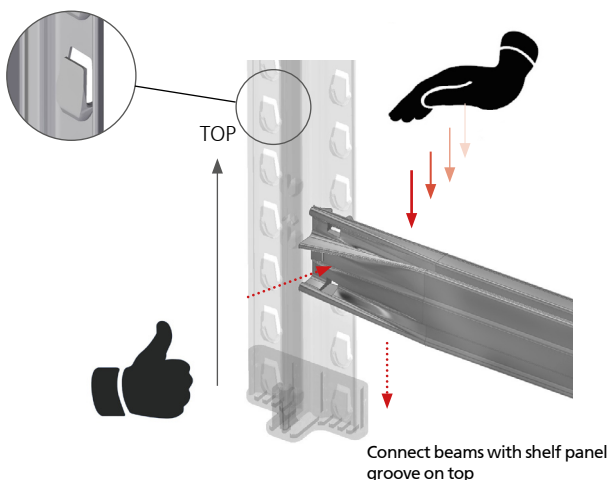
Frames equal or higher than 2,1m use both spacers and diagonals according to the configuration in figure 1.

To assemble spacer/diagonal (A) to the frame uprights, press the bulged portion of the spacer/diagonal connection slots against the upright side connection lugs and tap into seat with hammer, alternating between the left and right side of the spacer/diagonal, until it clips over the "safety clip nibs". Rotate the frame so that the spacer/diagonal (B) (not required for 916mm high frames) is placed on the opposite side of the upright.

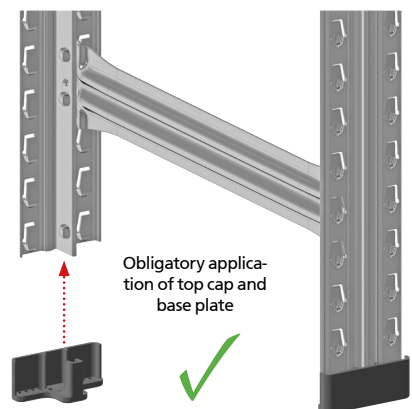
Finish the frame assembly by covering the uprights with the four plastic top caps / base plates top and bottom.



Slide the beam connection slots over the upright front connection lugs and press down on the beam to create connection, making sure that both top and bottom beam slots are engaged. Press between the beam connection slots against

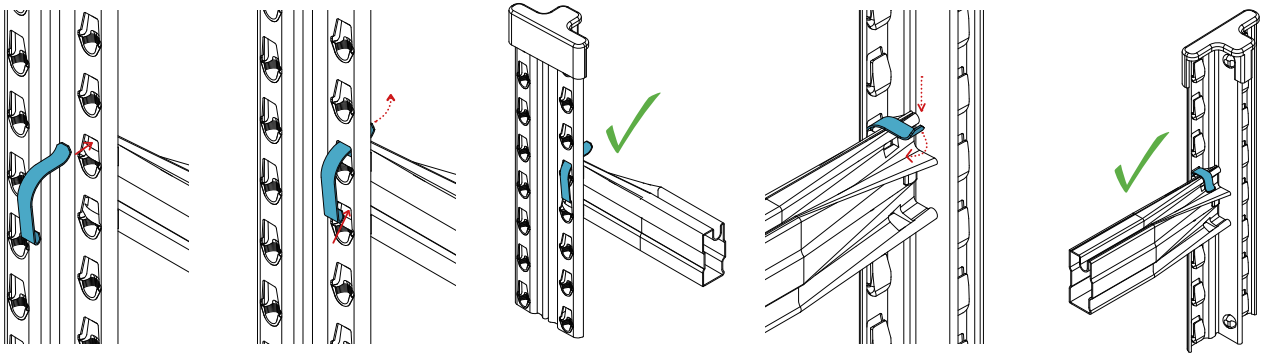


the upright with thumb to further assist the connection of both top and bottom beam slots. The hammer may be used to seat the beam once the connection lugs have been engaged.



The safety clip acts by cupping the bottom upright and beam connection lug and by folding over the top of the beam. Insert the top of the safety clip through the upright beam connection lug. Cup the bottom beam connection lug by pressing upwards

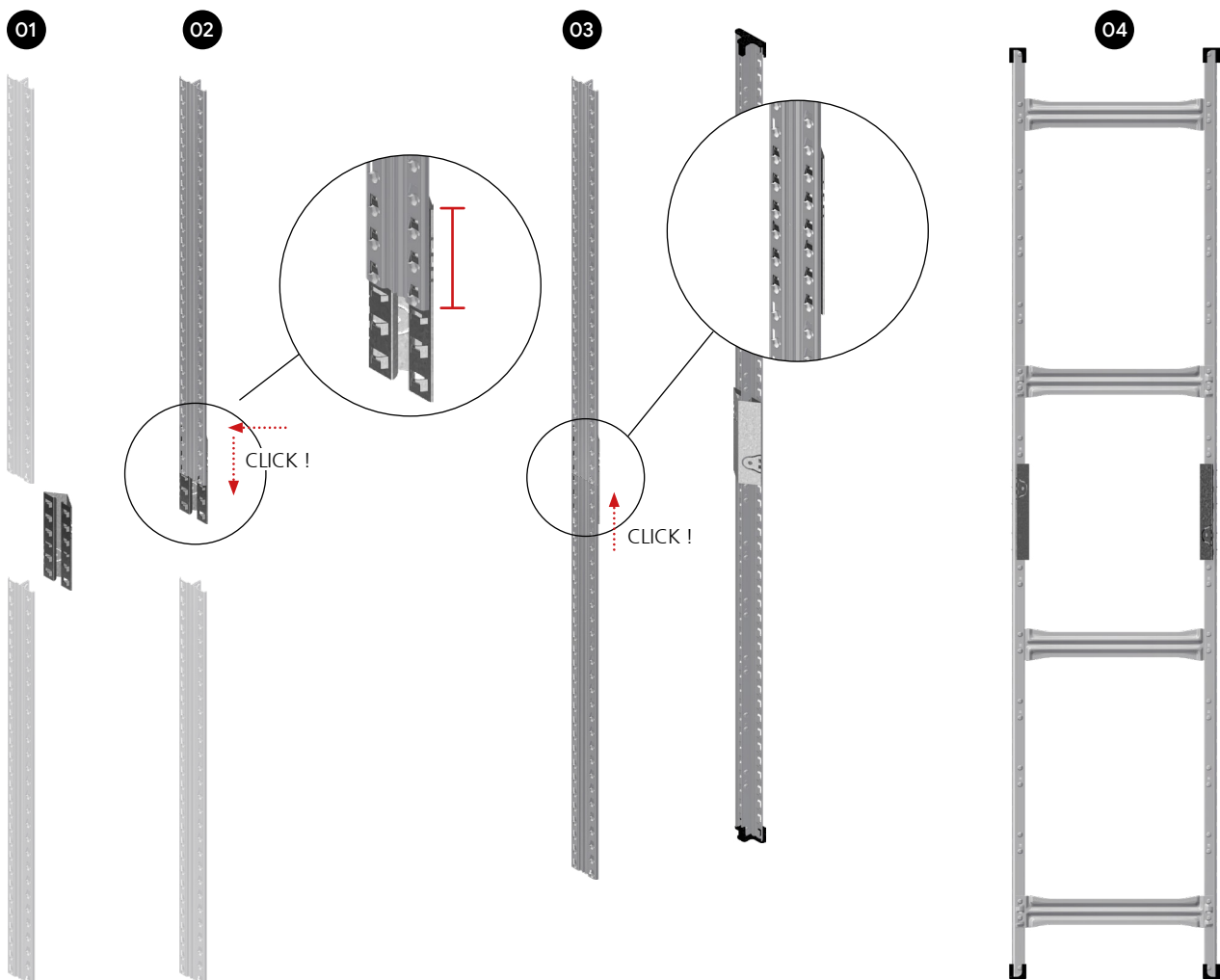
against the upright. Fold the safety clip downwards over the beam with thumb. Complete the assembly by resting the shelf panel into the beam groove.



Jointed frames

To assemble the H=1832mm uprights connect two short upright segments to each other using the upright splice bracket. Using a hammer, tap the bracket onto the three bottom front connection lugs of the upper segment until the bracket "clicks" into position. Then connect the assembly onto the upper part

of the lower segment until the bracket "clicks" into position. Once the two uprights are assembled, complete the frame assembly by installing the four provided spacers as shown in the figure below.



APPLICATION GUIDE

Frames must always be anchored to a wall using the specified wall tie brackets. The anchor bolt type mentioned in the previous pages is suited for applications to a masonry or concrete wall.

Refer to anchor supplier if fixing to other forms of wall construction (e.g. dry wall or wood).

Shelving module notes:

- » The maximum load of one shelving module is 500kg*;
- » Always use safety gloves during assembly or modification of shelf levels;
- » Do not climb the shelving;
- » Do not place unstable or unsecured items that could cause harm or damage if they fall from the shelving;

» If components of the shelving are visibly damaged (deformed, ripped, excessive beam deflection, shelving leaning to one side, etc), unload the shelving and correct the configuration or substitute damaged components.

» The maximum centre distance between levels is 500 mm;

» The maximum shelving height is 2,5 m.

The tables below refer to uniformly distributed loads for single shelves applied in conformity with the instructions of this document.

Super K - Steel shelf admissible loads [kg*]

Shelf depth (D)	Shelf width (W)			
	60 cm	90 cm	105 cm	120 cm
32 cm	160	195	165	100
40 cm	125	185	165	100
45 cm	115	175	165	100
50 cm	105	155	165	100
60 cm	95	145	165	100

Uniformly distributed load.
* 1kg=1kgf~1daN=10N

Super K - Plastic shelf admissible loads [kg*]

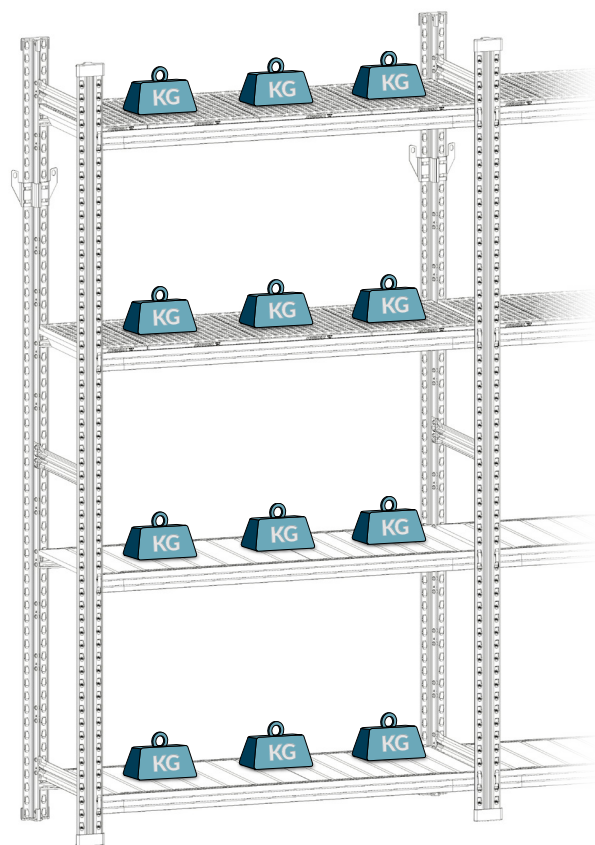
Shelf depth (D)	Shelf width (W)			
	60 cm	90 cm	105 cm	120 cm
32 cm	70	105	120	100
40 cm	70	105	120	100
50 cm	50	75	85	100
60 cm	30	45	-	60

Uniformly distributed load.
Application temperature range between 7° and 30°C.
* 1kg=1kgf~1daN=10N

Super K - Modular container admissible loads [kg*]

Shelf width	
60 cm	90 cm
100	80

Uniformly distributed load.
* 1kg=1kgf~1daN=10N

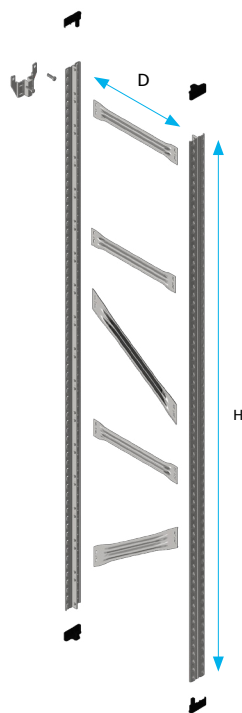
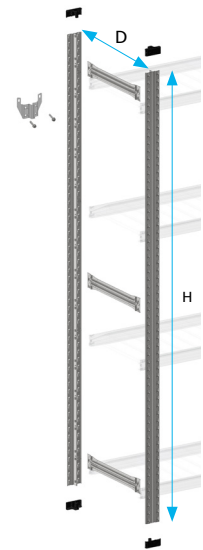


SUPER K - ORDER MODULE

Send this module to commerciale@metalsistem.com

SUPER K FRAME 1 m > 2 m

Depth (D)	1 m		1.5 m		1.7 m		2 x 1 m		2 m	
	Q.ty	Code	Q.ty	Code	Q.ty	Code	Q.ty	Code	Q.ty	Code
32 cm	<input type="checkbox"/> ____	74000.98	<input type="checkbox"/> ____	74004.98	<input type="checkbox"/> ____	74006.98	<input type="checkbox"/> ____	74007.98	<input type="checkbox"/> ____	74008.98
40 cm	<input type="checkbox"/> ____	74010.98	<input type="checkbox"/> ____	74014.98	<input type="checkbox"/> ____	74016.98	<input type="checkbox"/> ____	74017.98	<input type="checkbox"/> ____	74018.98
45 cm	<input type="checkbox"/> ____	74020.98	<input type="checkbox"/> ____	74024.98	<input type="checkbox"/> ____	74026.98	<input type="checkbox"/> ____	74027.98	<input type="checkbox"/> ____	74028.98
50 cm	<input type="checkbox"/> ____	74030.98	<input type="checkbox"/> ____	74034.98	<input type="checkbox"/> ____	74036.98	<input type="checkbox"/> ____	74037.98	<input type="checkbox"/> ____	74038.98
60 cm	<input type="checkbox"/> ____	74040.98	<input type="checkbox"/> ____	74044.98	<input type="checkbox"/> ____	74046.98	<input type="checkbox"/> ____	74047.98	<input type="checkbox"/> ____	74048.98



SUPER K FRAME 2.1 m > 2.5 m

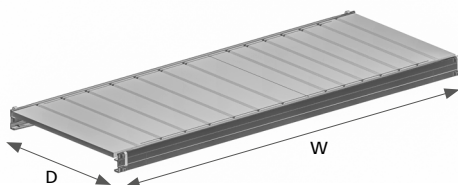
Prof. (P)	2.1 m		2.2 m		2.4 m		2.5 m	
	Q.tà	Cod.	Q.tà	Cod.	Q.tà	Cod.	Q.tà	Cod.
32 cm	<input type="checkbox"/> ____	77100.98	<input type="checkbox"/> ____	77101.98	<input type="checkbox"/> ____	77102.98	<input type="checkbox"/> ____	77055.98
40 cm	<input type="checkbox"/> ____	77103.98	<input type="checkbox"/> ____	77104.98	<input type="checkbox"/> ____	77105.98	<input type="checkbox"/> ____	77058.98
45 cm	<input type="checkbox"/> ____	77106.98	<input type="checkbox"/> ____	77107.98	<input type="checkbox"/> ____	77108.98	<input type="checkbox"/> ____	77059.98
50 cm	<input type="checkbox"/> ____	77109.98	<input type="checkbox"/> ____	77110.98	<input type="checkbox"/> ____	77111.98	<input type="checkbox"/> ____	77061.98
60 cm	<input type="checkbox"/> ____	77112.98	<input type="checkbox"/> ____	77113.98	<input type="checkbox"/> ____	77114.98	<input type="checkbox"/> ____	77064.98

Accessories

Wall fastening bracket	<input type="checkbox"/> ____	65022.95
Plastic anchor bolt M8x40 + cross head screw	<input type="checkbox"/> ____	VI000480.98

STEEL - SHELF LEVELS

Depth (D)	60 cm		90 cm		105 cm		120 cm	
	Q.ty	Code	Q.ty	Code	Q.ty	Code	Q.ty	Code
32 cm	<input type="checkbox"/> ____	84001.95	<input type="checkbox"/> ____	84011.95	<input type="checkbox"/> ____	84021.95	<input type="checkbox"/> ____	84031.95
40 cm	<input type="checkbox"/> ____	84004.95	<input type="checkbox"/> ____	84014.95	<input type="checkbox"/> ____	84024.95	<input type="checkbox"/> ____	84034.95
45 cm	<input type="checkbox"/> ____	84005.95	<input type="checkbox"/> ____	84015.95	<input type="checkbox"/> ____	84025.95	<input type="checkbox"/> ____	84035.95
50 cm	<input type="checkbox"/> ____	84007.95	<input type="checkbox"/> ____	84017.95	<input type="checkbox"/> ____	84027.95	<input type="checkbox"/> ____	84037.95
60 cm	<input type="checkbox"/> ____	84010.95	<input type="checkbox"/> ____	84020.95	<input type="checkbox"/> ____	84030.95	<input type="checkbox"/> ____	84040.95









SUPER K - ORDER MODULE

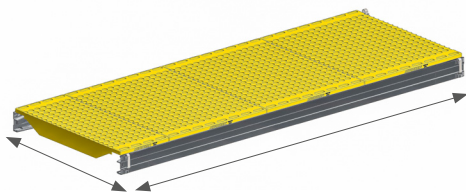
Send this module to commerciale@metalsistem.com

PLASTIC - SHELF LEVELS

Depth (D)	60 cm		90 cm		105 cm		120 cm	
	Q.ty	Code	Q.ty	Code	Q.ty	Code	Q.ty	Code
32 cm	<input type="checkbox"/> _____	PSK32060__98	<input type="checkbox"/> _____	PSK32090__98	<input type="checkbox"/> _____	PSK32105__98	<input type="checkbox"/> _____	PSK32120__98
40 cm	<input type="checkbox"/> _____	PSK40060__98	<input type="checkbox"/> _____	PSK40090__98	<input type="checkbox"/> _____	PSK40105__98	<input type="checkbox"/> _____	PSK40120__98
50 cm	<input type="checkbox"/> _____	PSK50060__98	<input type="checkbox"/> _____	PSK50090__98	<input type="checkbox"/> _____	PSK50105__98	<input type="checkbox"/> _____	PSK50120__98
60 cm	<input type="checkbox"/> _____	PSK60060__98	<input type="checkbox"/> _____	PSK60090__98	-	-	<input type="checkbox"/> _____	PSK60120__98

Colour	White (WH)	Yellow (YL)	Blue (DB)	Cyan (LB)	Black (BL)	Green (DG)
						

Example: 50cm x 90cm Cyan shelf panel - order code: PSK50090LB.98

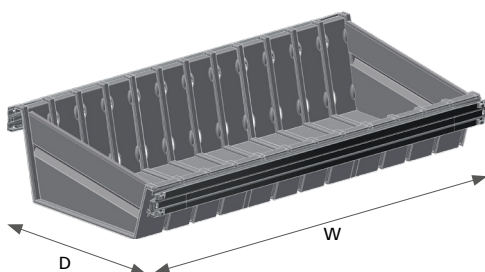


D
W

MODULAR CONTAINER - SHELF LEVELS

DIVIDERS

Depth (D)	60 cm		90 cm		120 cm		Q.ty	Code
	Q.ty	Code	Q.ty	Code	Q.ty	Code		
32 cm	<input type="checkbox"/> _____	84051.95	<input type="checkbox"/> _____	84061.95	<input type="checkbox"/> _____	84081.95	<input type="checkbox"/> _____	61517.95
40 cm	<input type="checkbox"/> _____	84054.95	<input type="checkbox"/> _____	84064.95	<input type="checkbox"/> _____	84084.95	<input type="checkbox"/> _____	61518.95
45 cm	<input type="checkbox"/> _____	84055.95	<input type="checkbox"/> _____	84065.95	<input type="checkbox"/> _____	84085.95	<input type="checkbox"/> _____	61516.95
50 cm	<input type="checkbox"/> _____	84057.95	<input type="checkbox"/> _____	84067.95	<input type="checkbox"/> _____	84087.95	<input type="checkbox"/> _____	61519.95
60 cm	<input type="checkbox"/> _____	84060.95	<input type="checkbox"/> _____	84070.95	<input type="checkbox"/> _____	84090.95	<input type="checkbox"/> _____	61520.95

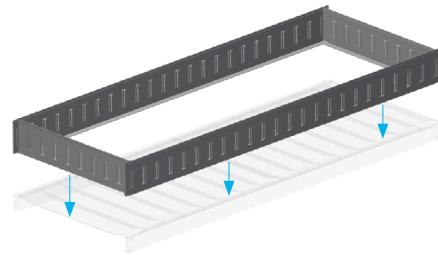


D
W

ACCESSORIES

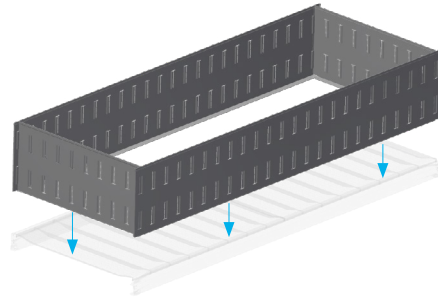
CONTAINERS WITH DIVIDERS - H 100

Depth (D)	Width (W)		
	90 cm	105 cm	120 cm
40 cm	85001.95	85011.95	85021.95
45 cm	85002.95	85012.95	85022.95
50 cm	85004.95	85014.95	85024.95
60 cm	85007.95	85017.95	85027.95



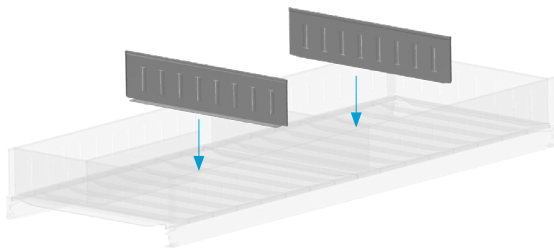
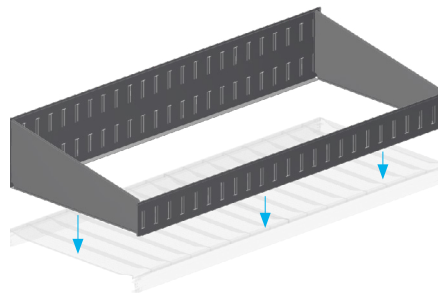
CONTAINERS WITH DIVIDERS - H 200

Depth (D)	Width (W)		
	90 cm	105 cm	120 cm
40 cm	85031.95	85041.95	85051.95
45 cm	85032.95	85042.95	85052.95
50 cm	85034.95	85044.95	85054.95
60 cm	85037.95	85047.95	85057.95



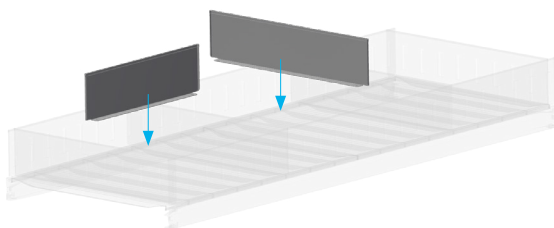
CONTAINERS WITH DIVIDERS - Trapezoidal

Depth (D)	Width (W)		
	90 cm	105 cm	120 cm
40 cm	85061.95	85071.95	85081.95
45 cm	85062.95	85072.95	85082.95
50 cm	85064.95	85074.95	85084.95
60 cm	85067.95	85077.95	85087.95
600cm	85070.95	85080.95	85090.95



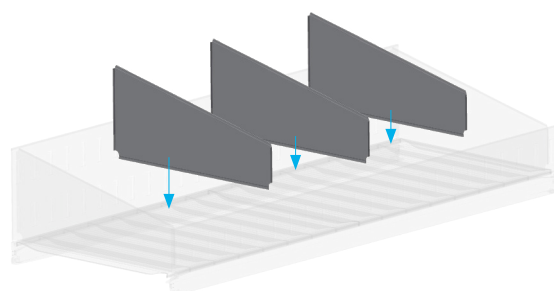
SHELF SIDE RUNNERS - Frame direction

Depth (D)	Height (H)	
	10 cm	20 cm
40 cm	64131.95	64141.95
45 cm	64136.95	64146.95
50 cm	64132.95	64142.95
60 cm	64133.95	64143.95



DIVIDERS - Rectangular

Depth (D)	Height (H)	
	10 cm	20 cm
32 cm	67151.95	67152.95
40 cm	67154.95	67153.95
45 cm	67166.95	67165.95
50 cm	67157.95	67155.95
60 cm	67160.95	67156.95
Spec.	99196.95	99197.95



DIVIDERS - Trapezoidal

Depth (D)	
32 cm	67181.95
40 cm	67184.95
45 cm	67185.95
50 cm	67187.95
60 cm	67190.95

ACCESSORIES

RECTANGULAR SLIDING SEPARATORS H100

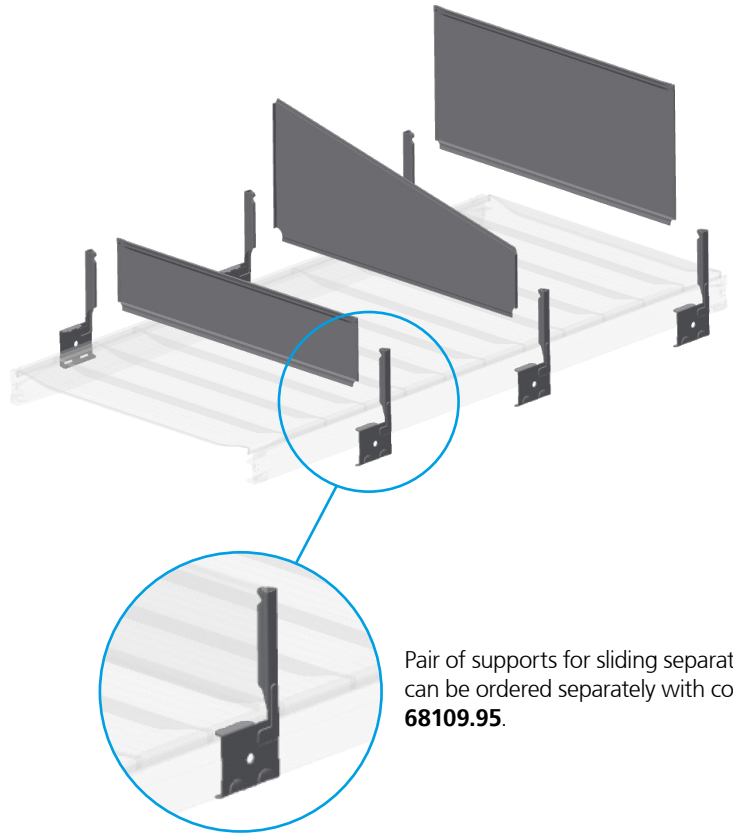
Depth (D)	
32 cm	67200.95
40 cm	67204.95
45 cm	67205.95
50 cm	67206.95
60 cm	67208.95

RECTANGULAR SLIDING SEPARATORS H200

Depth (D)	
32 cm	67220.95
40 cm	67224.95
45 cm	67225.95
50 cm	67226.95
60 cm	67228.95

TRAPEZOIDAL SLIDING SEPARATORS

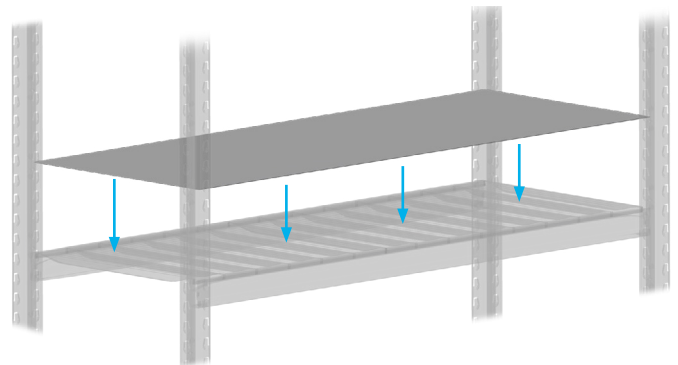
Depth (D)	
32 cm	67170.95
40 cm	67172.95
45 cm	67173.95
50 cm	67174.95
60 cm	67176.95



Pair of supports for sliding separators can be ordered separately with code **68109.95**.

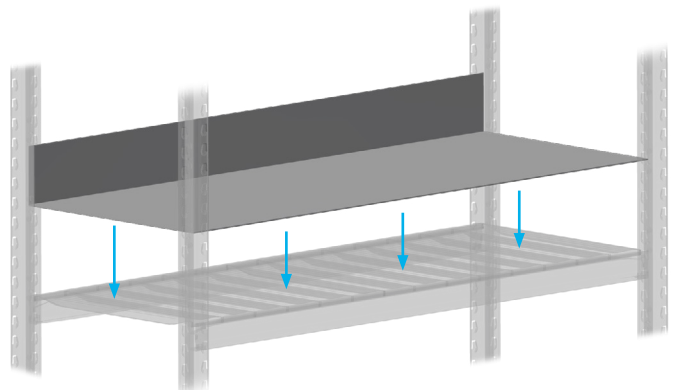
COVER SHEET

Depth (D)	Width (W)		
	90 cm	105 cm	120 cm
32 cm	AL210210.95	AL210216.95	AL210222.95
40 cm	AL210211.95	AL210217.95	AL210223.95
45 cm	AL210252.95	AL210253.95	AL210254.95
50 cm	AL210212.95	AL210218.95	AL210224.95
60 cm	AL210213.95	AL210219.95	AL210225.95



COVER SHEET WITH BACKSTOP

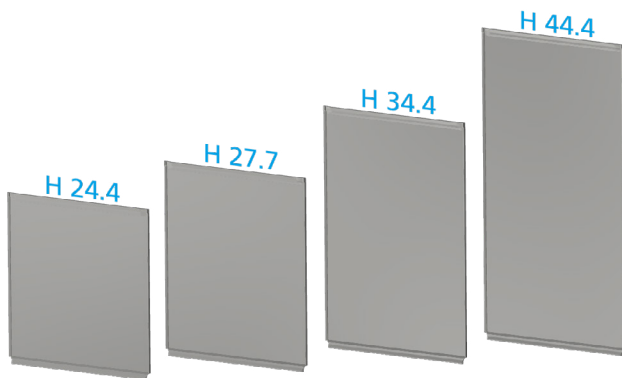
Depth (D)	Width (W)		
	90 cm	105 cm	120 cm
32 cm	AL210310.95	AL210316.95	AL210322.95
40 cm	AL210311.95	AL210317.95	AL210323.95
45 cm	AL210352.95	AL210353.95	AL210354.95
50 cm	AL210312.95	AL210318.95	AL210324.95
60 cm	AL210313.95	AL210319.95	AL210325.95



ACCESSORIES

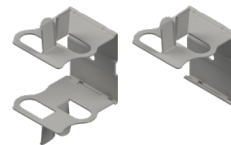
FIXED HEIGHT DIVIDERS

Height (H) / Depht (D)	24.4 cm	27.7 cm	34.4 cm	44.4 cm
32 cm	67720.95	67780.95	67740.95	67760.95
40 cm	67722.95	67782.95	67742.95	67762.95
45 cm	67723.95	67783.95	67743.95	67763.95
50 cm	67724.95	67784.95	67744.95	67764.95
60 cm	67726.95	67786.95	67746.95	67766.95



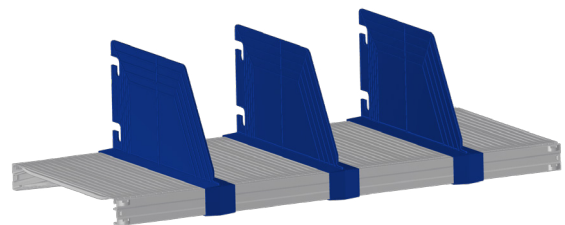
CLIP FOR FIXED HEIGHT DIVIDERS

Single-sided	68111.95
Double-sided	68110.95



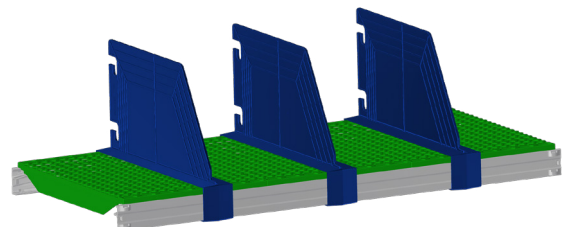
PLASTIC DIVIDERS - Steel shelf panels

Depht (D)	Blue	Grey	Black
32 cm	67070B.98	67070G.98	67070N.98
40 cm	67072B.98	67072G.98	67072N.98
45 cm	67073B.98	67073G.98	67073N.98
50 cm	67074B.98	67074G.98	67074N.98
60 cm	67076B.98	67076G.98	67076N.98



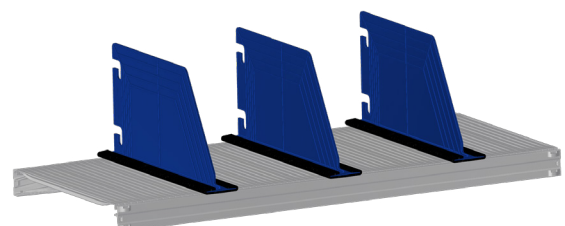
PLASTIC DIVIDERS - Plastic shelf panels

Depht (D)	Blue	Grey	Black
32 cm	67093B.98	67093G.98	67093N.98
40 cm	67095B.98	67095G.98	67095N.98
50 cm	67097B.98	67097G.98	67097N.98
60 cm	67099B.98	67099G.98	67099N.98



PLASTIC DIVIDERS - Magnetic profile

Depht (D)	Blue	Grey	Black
32 cm	67130B.98	67130G.98	67130N.98
40 cm	67132B.98	67132G.98	67132N.98
45 cm	67133B.98	67133G.98	67133N.98
50 cm	67134B.98	67134G.98	67134G.98
60 cm	67136B.98	67136G.98	67136G.98



ACCESSORIES

BACKSTOP PROFILE

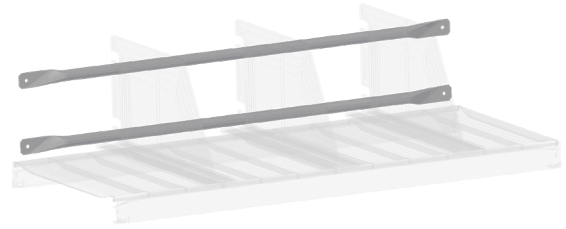
Special Width (W)

67090.95

Note:

The backstop profile can be ordered through the special length code 67090.95 using the following formula:
 Order Length (mm) = Nominal Bay Dimension - 35mm.

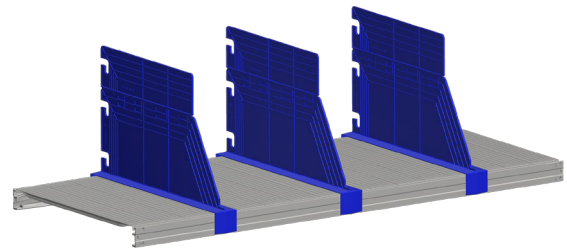
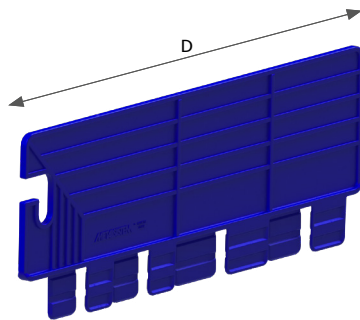
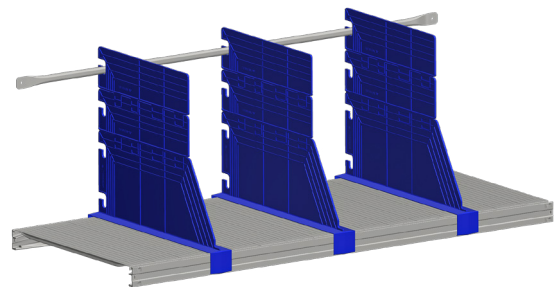
Use two backstop profiles to ensure the structure stability.



PLASTIC DIVIDERS - H100 Extension

Depht (D)	Blu	Grigio	Nero
32 cm	67122B.98	67122G.98	67122N.98
40 cm	67124B.98	67124G.98	67124N.98
45 cm	67125B.98	67125G.98	67125N.98
50 cm	67126B.98	67126G.98	67126N.98
60 cm	67128B.98	67128G.98	67128N.98

Maximum 2 extensions in height for each divider



PLASTIC LABEL HOLDER

67008.98

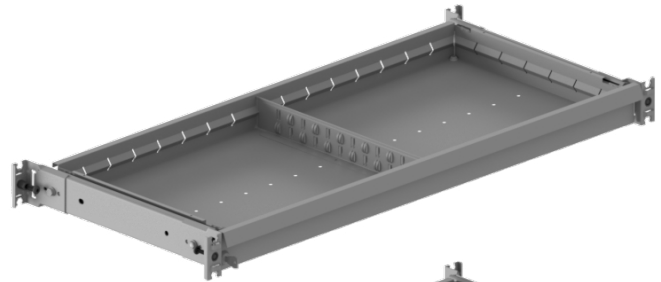


ACCESSORIES

DRAWERS H66 LIGHT DUTY

Depth (D)	Width (W)		
	60 cm	90 cm	120 cm
40 cm	66810.98	66830.98	66833.98
50 cm	66811.98	66831.98	66834.98
60 cm	66812.98	66832.98	66835.98

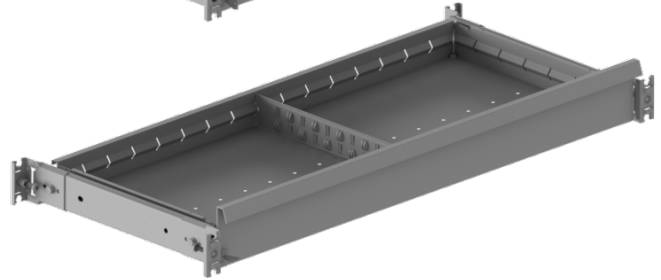
It is mandatory to use a perforated wall in the middle of the drawer



DRAWERS H99 LIGHT DUTY

Depth (D)	Width (W)		
	60 cm	90 cm	120 cm
40 cm	66813.98	66889.98	66892.98
50 cm	66814.98	66890.98	66893.98
60 cm	66815.98	66891.98	66894.98

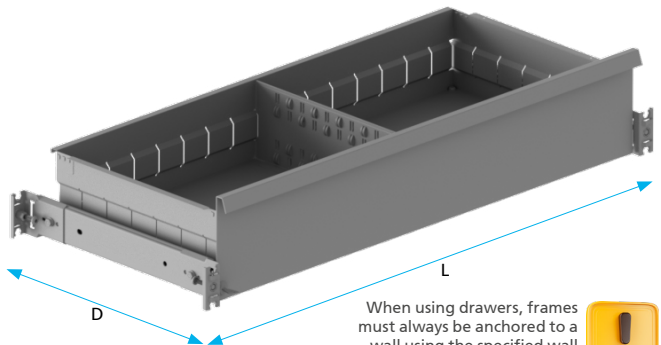
It is mandatory to use a perforated wall in the middle of the drawer



DRAWERSE H165 LIGHT DUTY

Depth (D)	Width (W)		
	60 cm	90 cm	120 cm
40 cm	66816.98	66836.98	66839.98
50 cm	66817.98	66837.98	66840.98
60 cm	66818.98	66838.98	66841.98

It is mandatory to use a perforated wall in the middle of the drawer

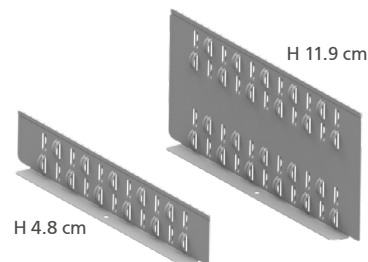


When using drawers, frames must always be anchored to a wall using the specified wall tie brackets.



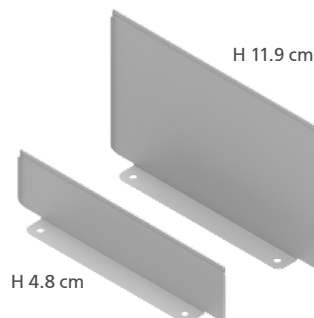
PERFORATED DRAWER WALL

Depth (D)	Height (H)	
	4.8 cm	11.9 cm
40 cm	67842B.95	67842A.95
50 cm	67843B.95	67843A.95
60 cm	67844B.95	67844A.95



DRAWER DIVIDER

Depth (D)	Height (H)	
	4.8 cm	11.9 cm
5 cm	67845B.95	67845A.95
10 cm	67846B.95	67846A.95
15 cm	67847B.95	67847A.95
20 cm	67848B.95	67848A.95
30 cm	67849B.95	67849A.95
30 cm	67850B.95	67850A.95



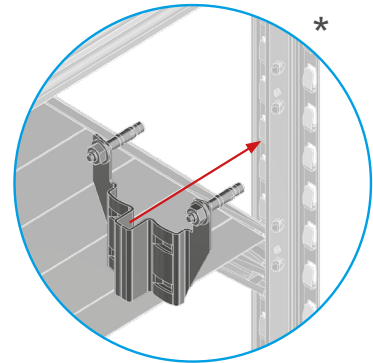
ACCESSORIES

2 PANEL SLIDING DOORS - Height 2m

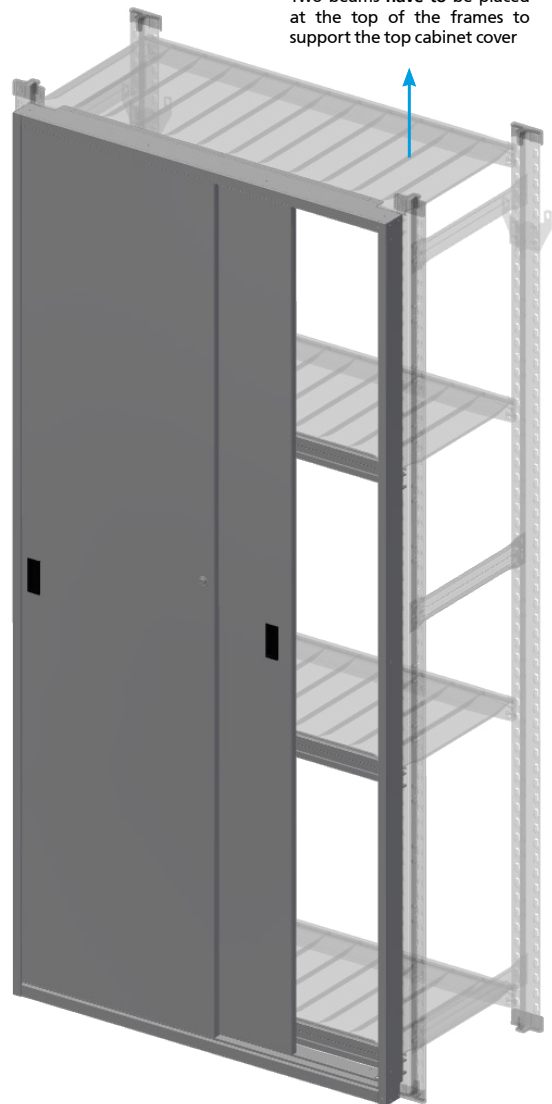
Height (H)	2 m (1972mm)
Width (W)	90 cm
	68220.--

Frames must always be anchored to a wall using the specified components:

- Wall fastening bracket [65022.95](#)
- Plastic anchor bolt M8x40 + cross head screw M5x50 [V1000480.98](#)



Two beams have to be placed at the top of the frames to support the top cabinet cover



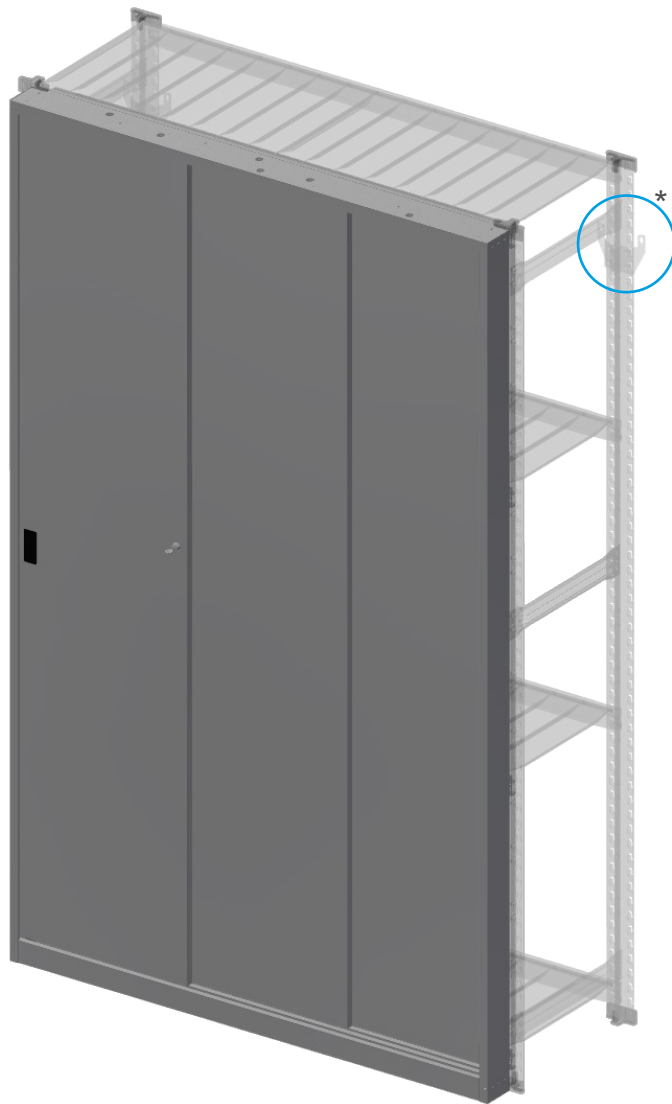
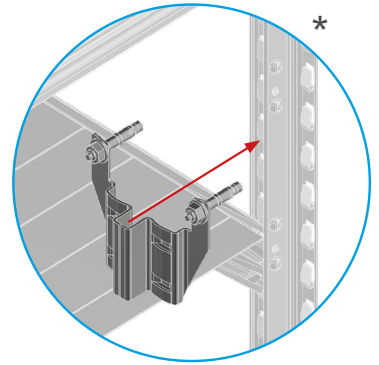
ACCESSORIES

3 PANEL SLIDING DOORS - Height 2m

	Height (H)	2 m (1972mm)
Width (W)		6822.--
	120 cm	

Frames must always be anchored to a wall using the specified components:

- Wall fastening bracket [65022.95](#)
- Plastic anchor bolt M8x40 + cross head screw M5x50 [V1000480.98](#)



Two beams have to be placed at the top of the frames to support the top cabinet cover



ACCESSORIES

SWINGING DOORS WITH KEY LOCK

Height 2 m

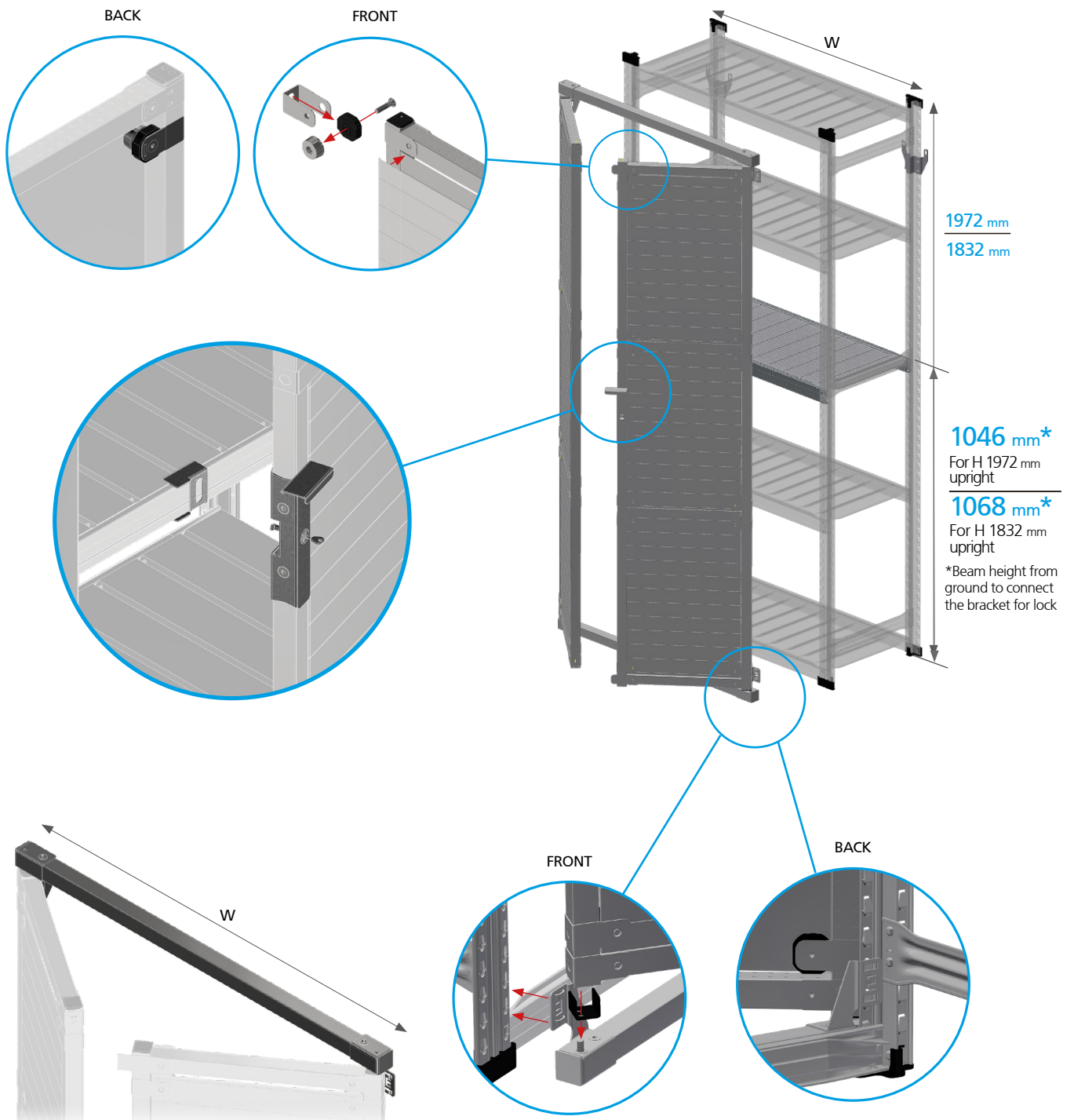
Height (H) Width (W)	2 m (1972 mm) +	Fastening Accessories
60 cm	68487.98	68489.95
90 cm	68400.98	68420.95
105 cm	68401.98	68561.95
120 cm	68403.98	68423.95

SWINGING DOORS WITH KEY LOCK

Height 1.8 m

Height (H) Width (W)	2 x 1 m* (1832 mm) +	Fastening Accessories
60 cm	68600.98	68489.95
90 cm	68601.98	68420.95
105 cm	68560.98	68561.95
120 cm	68602.98	68423.95

*Spliced Swinging Doors

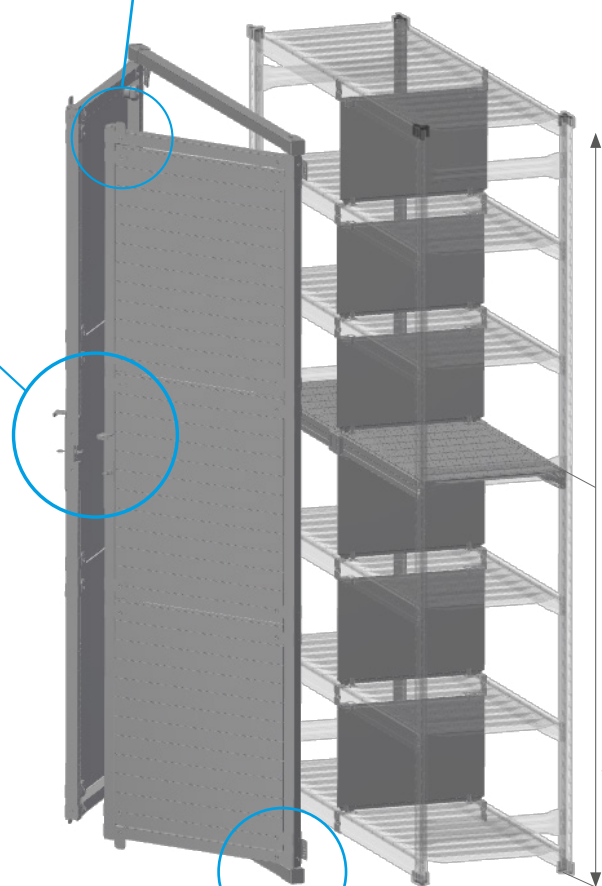
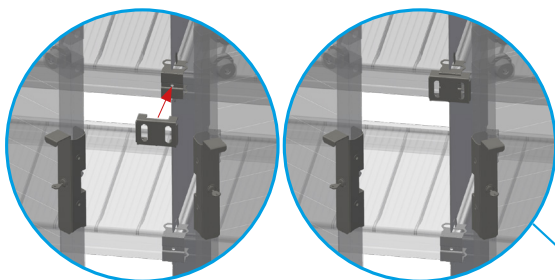
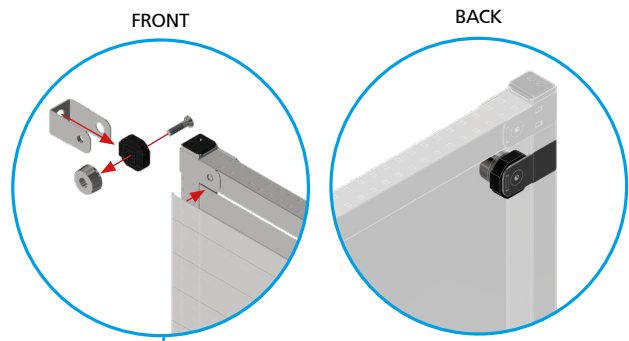


ACCESSORIES

SWINGING DOORS WITH DOUBLE KEY LOCK

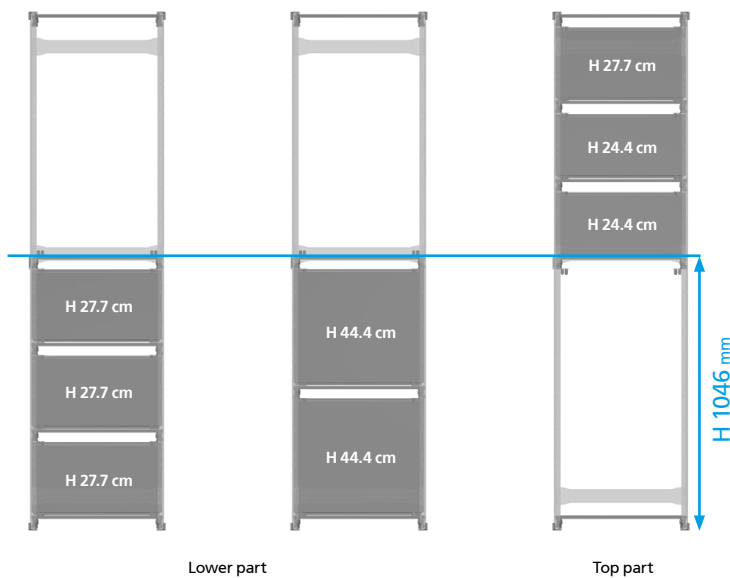
Height 2 m

Width (W)	Height (H)	2 m (1972 mm)	+	Fastening Accessories
60 cm		68487.98		68520.95
90 cm		68400.98		68523.95
105 cm		68401.98		68573.95
120 cm		68403.98		68526.95



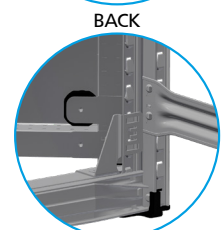
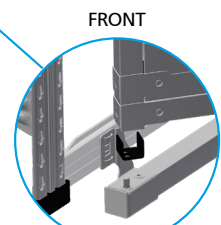
1046 mm*
For H 1972 mm
*Beam height from ground to connect the bracket for lock

Available fixed height divider combinations



Lower part

Top part



ACCESSORIES

SWINGING DOORS WITH KEY LOCK

Height 2m

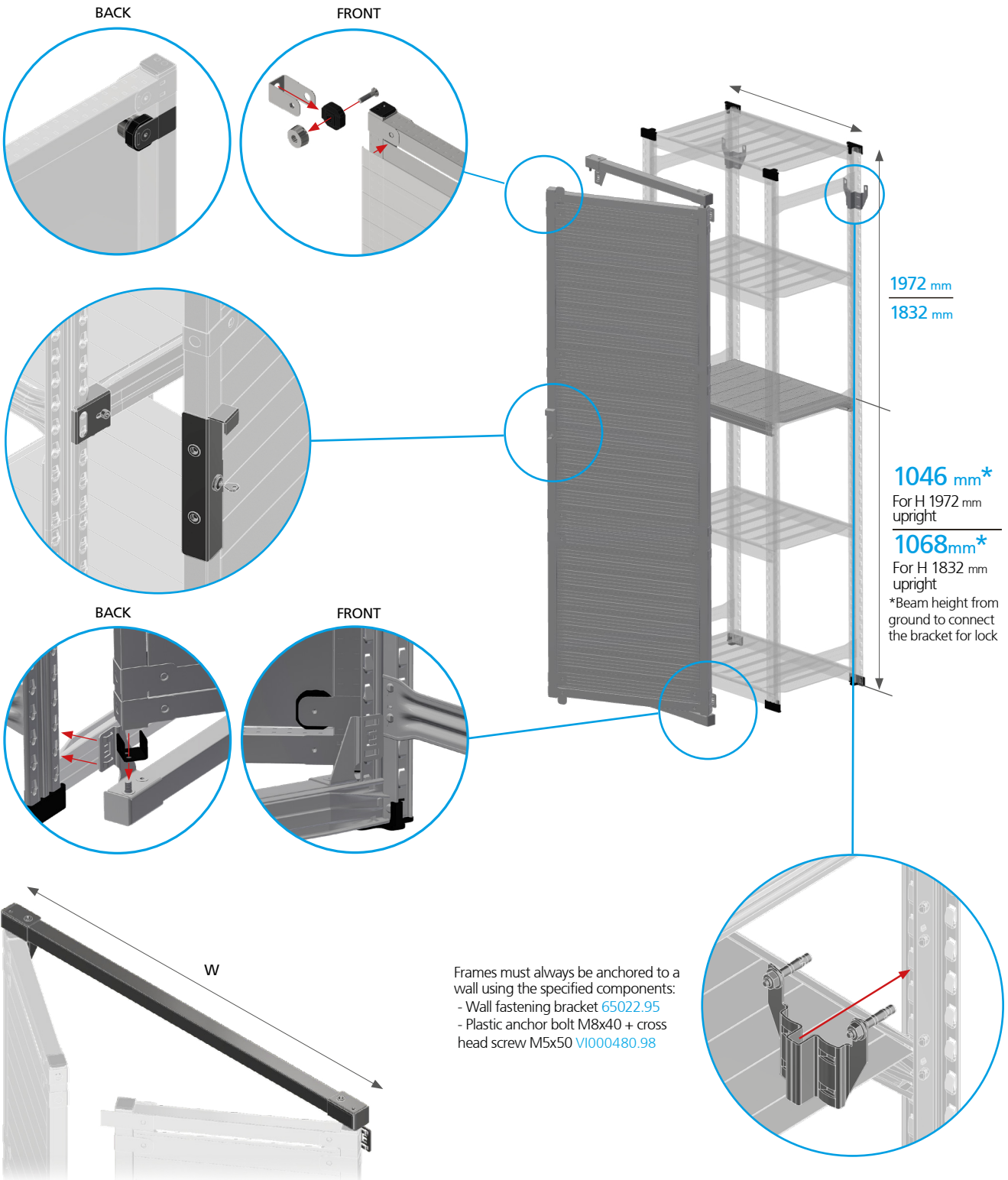
Height (H)	2 m (1972 mm)	+ Fastening Accessories
Width (W)	60 cm	
		68618.98
		68624.95

SWINGING DOORS WITH KEY LOCK

Height 1.8m

Height (H)	2 x 1 m* (1832 mm)	Fastening Accessories
Width (W)	60 cm	
		68630.98
		68624.95

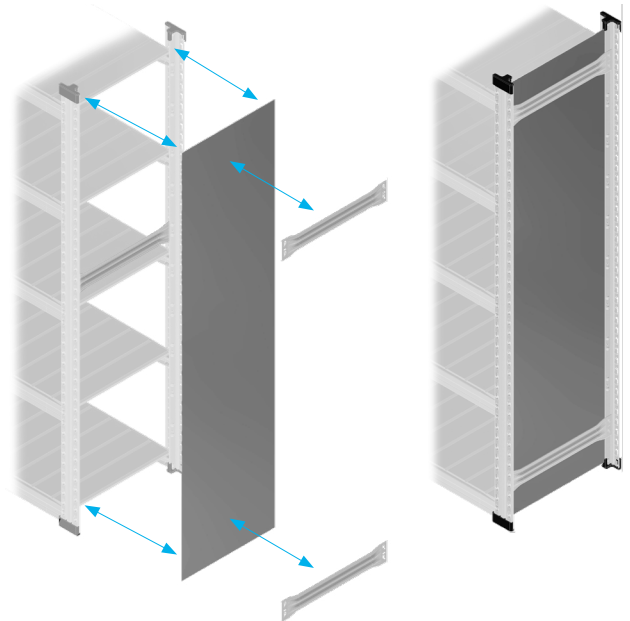
*Spliced Swinging Doors



ACCESSORIES

SIDE CLADDING

Width (W) \ Height (H)	1 m (916 mm)	1,5 m (1444 mm)	1,7 m (1708 mm)	2 m (1972 mm)
320cm	67550.95	67500.95	67503.95	67504.95
400cm	67552.95	67509.95	67512.95	67513.95
450cm	67554.95	67540.95	67556.95	67542.95
500cm	67560.95	67518.95	67521.95	67522.95
600cm	67562.95	67527.95	67530.95	67531.95



SIDE CLADDING - Height 1.8m

Width (W) \ Height (H)	2 x 1 m* (1832mm)
32 cm	67579.95
40 cm	67580.95
45 cm	67581.95
50 cm	67582.95
60 cm	67583.95

Build your own shelving!
Shelving configurator

1. Choose the frame (mm)
H: 1708 | D: 400

2. Choose the shelf dimension and material
L: 900 | Type: MODULAB C...

3. Number of levels
4

Buy | Level

Get the quotation

Save your shelving config

Accessori compatibili

PIANETTO

- RIPANGO-H 13 MM 900x400-0K

CONTENITORE MODULARE

- CONTENITORE MODULARE 900x400

PIANETTO PLASTICA

- RIPANGO PP 900x400-0K-BIANCO
- RIPANGO PP 900x400-0K-AZZURRO
- RIPANGO PP 900x400-0K-NERO

<https://superk.build>

